



FTW02

Thermowells
Built-in From Pipe & Bar Stock (Flanged)

Special Features

- These thermowells are manufactured from solid bar stock pieces and welded in between as per the longer length requirement and installed into the process by using a bolted flanged connection
- This design is suitable for all type of rtd's, thermocouples, mechanical as well as digital thermometers which are having very longer lengths
- Full penetration welded at flange area

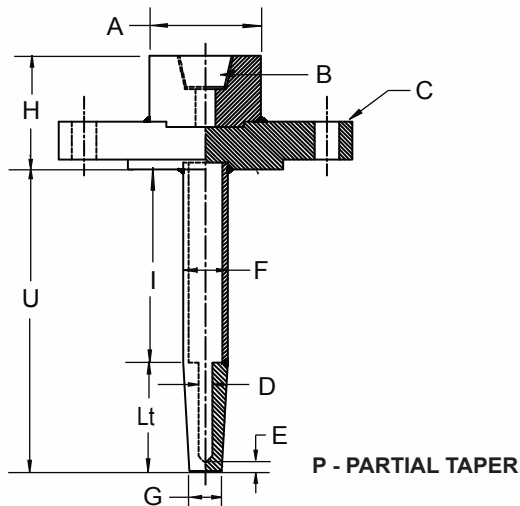
Applications

- Chemical plants
- Petrochemical plants
- Engineering plants
- On shore
- Off shore & other similar process industries

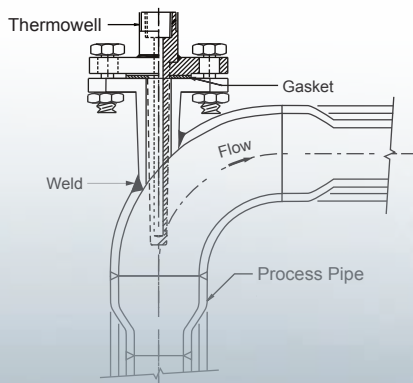
THERMOWELL DRAWINGS

A - Finished Head Size	E - Tip Thickness	U - Insertion Length
B - Instrument Connection	F - Major Diameter	Lt - Taper Length
C - Flange	G - Minor Diameter	I - Length of Pipe
D - Bore Diameter of Tail Bar Stock	H - Extension Length	

Thermowell Drawings



Thermowell Installation





FTW02

Thermowells
Built-in From Pipe & Bar Stock (Flanged)

How To Order				Example
Basic Model				FTW02
Flange & Stub Material				
LM AISI 316SS	EN AISI 321 SS	LS Hastelloy C		XX
LN AISI 316L SS	LQ Carbon Steel	LV Titanium		
LP AISI 304 SS	LT Monel	LU Inconel 600		
Other Materials are available on request.				
Instrument Connection				
4BF ½" BSP (F)	5NF ¾" NPT (F)	6NF 1" NPT (F)		XXX
4NF ½" NPT (F)	5BF ¾" BSP (F)	6BF 1" BSP (F)		
Other Materials are available on request.				
Flange Type				
1 Blind Flange	2 SORF Flange			X
Flange "C" (Size & Rating)				XXX
Flange Facing Type				
R Raised Face	F Flat Face	J Ring type joint		X
Flange Finish				
1 - 125 AARH (Standard)				X
Other Materials are available on request.				
Bore Diameter				X
B 7mm	D 9mm	F 11mm	G 13MM	
Shank Material				
LM AISI 316 SS	EN AISI 321 SS	LS Hastelloy C		
LN AISI 316L SS	EO AISI 310 SS	ES Inconel 625		
LO AISI 316Ti SS	LT Monel	LU Inconel 600		
Other Materials are available on request.				
Insertion Length "U"				
Please specify in mm				
Note : Specifications and dimensions given in this product catalogue represents the state of engineering at the time of printing. Modifications may take place and materials specified may be replaced by others without prior notice				